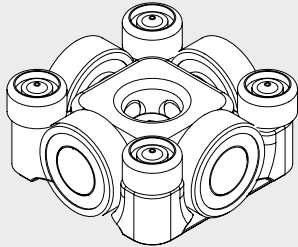
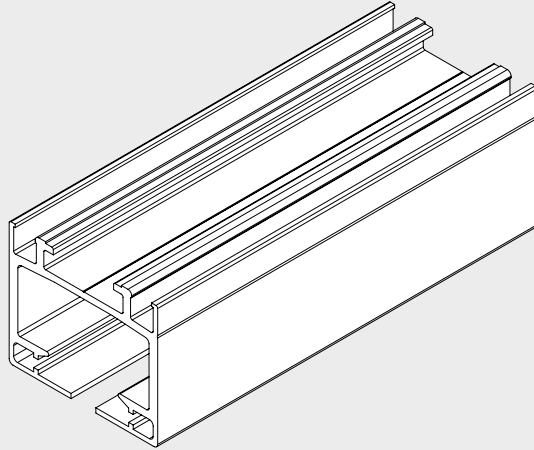


VARIFLEX

R-track and trolley



Trolley



R-track

Cut junctions

Steel inserts/inlays for reinforcing the track prevent sagging of roller in the junctions

Rail chamber for sound baffle fixing

Support rollers for smooth running

Lateral guide rollers for perfect guidance in the rail

Additional steel insert to reinforce the rail in the lower chamber for higher weights possible

Trolley rollers with closed ball bearings

Rail chamber for fixing blocks for parallel connection of track section

